

Engineering Change Notice

Part No. <u>1927A</u>	ECN No. <u>20-042</u>
Part Name <u>SPACER SUPPORT</u>	Date <u>5.01.20</u>
Rev. <u>—</u>	ECR No. <u>—</u>

Description of Change: Drawing Attached
UPDATE DRAWING PER INSPECTED SAMPLE

Solution: Tooling Change Required
REVISE C+M

Disposition of Parts:
U.A.I.

Signed LN Date 5.01.20

Required Distribution:

Engineering Quality Control Purchasing Manufacturing/Supplier

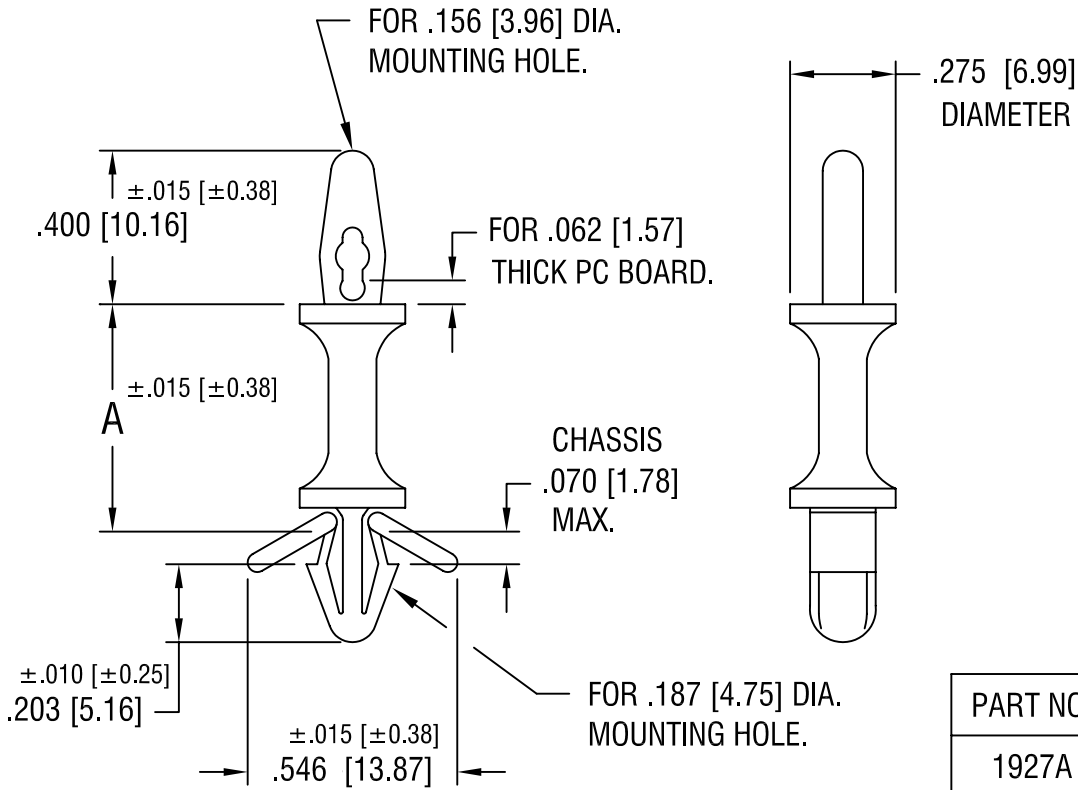
Chief Engineer: _____ Remarks: _____

Signed LN Date 5.01.20

Document Control: _____ Rev. A Signed NATASHA T. Date 5.01.20

Change Incorporated

THIS DOCUMENT IS THE PROPERTY OF
KEYSTONE ELECTRONICS CORP. AND
SHALL NOT BE REPRODUCED, DISTRIBUTED
OR USED AS A BASIS FOR MANUFACTURE
WITHOUT PRIOR WRITTEN PERMISSION
FROM KEYSTONE ELECTRONICS CORP.



PART NO.	'A' DIM.
1927A	.250 [6.35]
1928A	.375 [9.52]
1929A	.500 [12.70]
1930A	.625 [15.87]
1931A	.750 [19.05]
1932A	.875 [22.22]
1933A	1.000 [25.40]

KEYSTONE ELECTRONICS CORP.

ASTORIA, N.Y. 11105-2017

PART NAME

PC TENSION-FIT SUPPORT

MATERIAL

NYLON UL 94V-0

FINISH

-

DRN BY

BOONE

DATE

11.20.95

APPD

LN

SCALE

2X

TOLERANCES

INCH [MM]

DECIMAL $\pm .005$ [± 0.15]

ANGULAR $\pm 1^\circ$

UNLESS OTHERWISE SPECIFIED

CODE

C

DWG NO.

1927A-1933A

DATE

DESCRIPTION

REV.